

**CHEMIN'ARTE**

CHEMINÉES & RADIATEURS DESIGN DÉCORATIFS

[www.cheminarte.com](http://www.cheminarte.com)

**ELECTRIC FIREPLACE INSTRUCTION  
MANUAL for models 221 149 222 150 243  
242**



**IMPORTANT SAFETY INSTRUCTIONS**

**ATTENTION:**

1. Find a location for the electric heater that is protected from direct sunlight.
2. Do not plug the electric heater into the power outlet before you read all instructions.

Read all instructions before using this heater. Failure to follow these important safety instructions may cause fire, electric shock or damage. Following proper safety and operating instructions is the responsibility of the owner.

- 1) This heater is hot when in use. To avoid burns, do not let skin come in direct contact with hot surfaces. The grill directly in front of the heater outlet becomes hot during heater operation.
- 2) Front of fireplace should remain not blocked while in use.
- 3) CAUTION: Extreme caution is necessary when any heater is used by or near children or those with disabilities. Never leave the heater operating unattended.
- 4) Do not operate any heater with a damaged cord or plug or after the heater malfunctions, has been dropped or damaged in any manner. Take heater to authorized service facility for examination, electrical or mechanical adjustment or repair.
- 5) Under no circumstance should this electric heater be modified. Parts having to be removed for servicing must be replaced by a certified repair center prior to operating this electric heater again.
- 6) Do not use outdoors or anywhere it can get wet. This heater is not intended for use in bathrooms, laundry areas and similar indoor locations. Never locate heater in bathrooms, laundry areas and similar indoor locations. Never locate this appliance where it may fall into a bathtub or other water container.
- 7) Do not run cord under carpeting. Do not cover cord with throw rugs, runners, or similar coverings. Arrange cord away from traffic area and where it will not be tripped over.
- 8) To disconnect heater, turn off all controls, then remove plug from outlet.
- 9) Connect to property grounded outlets only.
- 10) Do not insert or allow foreign objects to enter any ventilation or exhaust opening as this may cause an electric shock or fire, or damage the heater.
- 11) To prevent a possible fire, do not block air intakes or exhaust in any manner. Do not use on soft surfaces, like a bed, where openings may become blocked.
- 12) CAUTION: A heater has hot and arcing or sparking parts inside. Do not use it in areas where gasoline, propane, paint, or flammable liquids are used or stored or where the unit will be exposed to flammable vapors. The heater should not be used as a drying rack for clothing. Do not hang any decorations on the heater.
- 13) Do not modify this heater. Use this heater only as described in this manual. Any other use not recommended by the manufacturer may cause fire, electric shock, or injury to persons.
- 14) Avoid the use of an extension cord because the extension cord may overheat and cause a risk of fire. However, if you have to use an extension cord, the cord shall be No.16AWG minimum size and rated not less than

- 1875 watts, and 3-wire cord with grounding type plug and cord connector.
- 15) Do not plug this product into a receptacle controlled by a wall switch or dimmer.
  - 16) Always use a certified electrician should new circuits or outlets be required.
  - 17) Always disconnect power before performing any cleaning, maintenance or relocation of the heater.
  - 18) For off-season storage, keep in a dry place.

**NOTE:** Procedures and techniques that are considered important enough to emphasize.

**CAUTION:** Procedures and techniques, which, if not carefully followed, will result in damage to the equipment or personal property or may cause personal injury.

**WARNING:** Procedures and techniques, which, if not carefully followed, will expose the user to the risk of serious injury, illness or death.

## **WARNING:**

This heater and parts become hot when in use. The area directly around and under the heater must be clear and free of any obstructions.


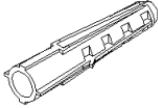



**DO NOT ALLOW CHILDREN TO OPERATE THIS HEATER. KEEP CHILDREN AND PETS AWAY FROM HEATER AND CONTROLS.**

## **Electrical Parameter**

- ◆ Power supply: AC220-240V
- ◆ Frequency: 50Hz
- ◆ Power: 2000W

**NOTE:** If the supply cord is damaged, it must be replaced by the manufacturer, its service agent or similarly qualified persons in order to avoid a hazard.

## Parts list

REF NO	DESCRIPTION	QTY
A	 #8 x 1"	4 PCS
B		4 PCS
C		1 PC
D		4 PCS
E		2 PCS

## Installation:

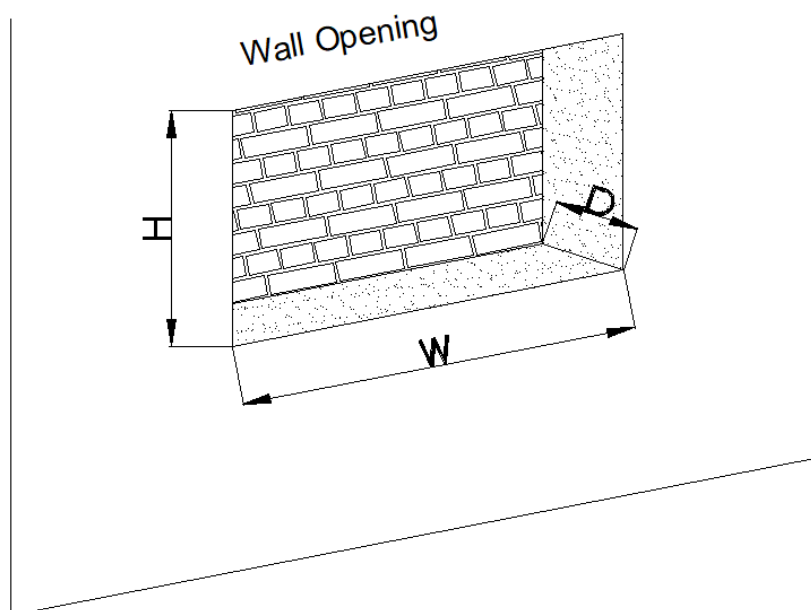
**Caution:** This heater can be installed in two ways, which can be selected according to your preference.

### **Type 1. Built-in Wall**

**Clearance:** Please allow a minimum of 1,5cm spacing from the rear of the unit to a wall.

### **Wall Opening Dimensions:**

Note: Before installing the heater, please confirm the opening size of the wall.



Model	Unit Overall Dimensions	Cutout Dimensions(W*D*H)
242	91,5 x 15,30 x 45cm	81 x 15 x 43,20cm
221	122 x 15,30 x 45cm	112 x 15 x 43,20cm
149 / 222	152,5 x 15,30 x 45cm	140 x 15 x 43,20cm
150	183 x 15,30 x 45cm	172 x 15 x 43.20cm
243	228,6 x 15,30 x 45cm	218 x 15 x 43.20cm

Step 1: (1) Find the two mounting screws and remove them. (2) Remove the front cover by pulling it upward (See Fig. A(1) and Fig. A(2)).

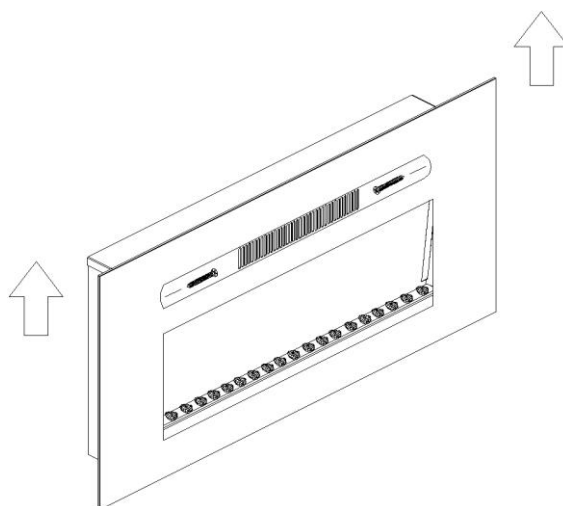
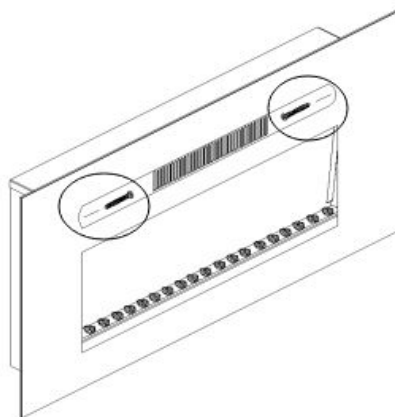


Fig. A(1)

Fig. A(2)

Step 2: Secure the unit to the back wall using the 4 screws (A) as shown in Fig. B.

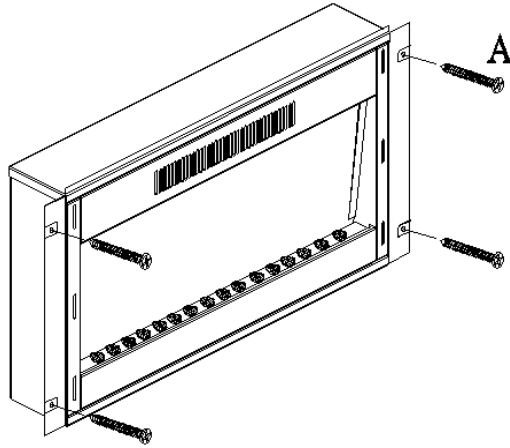


Fig. B

Step 3: Replace the front cover and secure it with two mounting screws (See Fig. C).

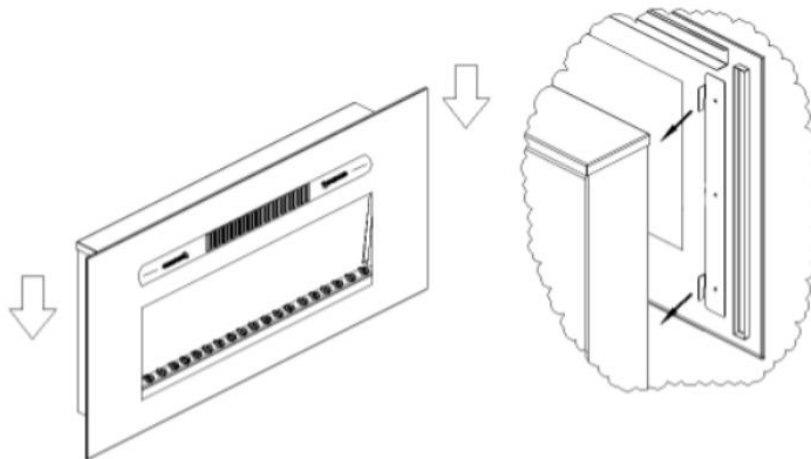


Fig. C

### **Type 2. Wall Hanging**

Step 1: Select the wall location where you want to hang your electric heater. Draw a horizontal line using a level and mark 4 drill holes for the 4 anchor screws.

Note: The holes are for mounting of heater and it shall be level so that the heater can be mounted properly and leveled.

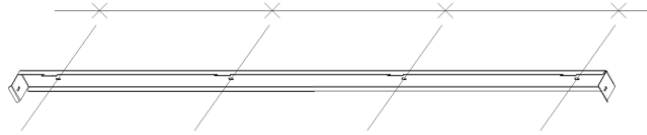


Fig. A

Step 2: Drill 4 holes 8 mm in diameter and 43 mm deep on the marked locations. For holes that do not hit stud, use the supplied wall anchor. Install the wall anchors into the holes and gently tap them into place with a hammer until the flange of the wall anchor is flush with the wall surface. See Fig. B.

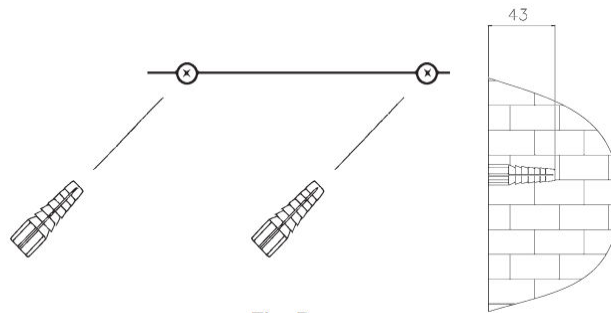


Fig. B

Step 3: Secure the mounting bracket to the wall anchors using the 4 anchor screws and 4 washers as shown in Fig. C.

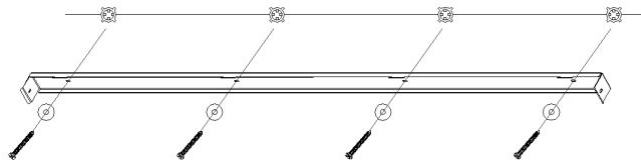
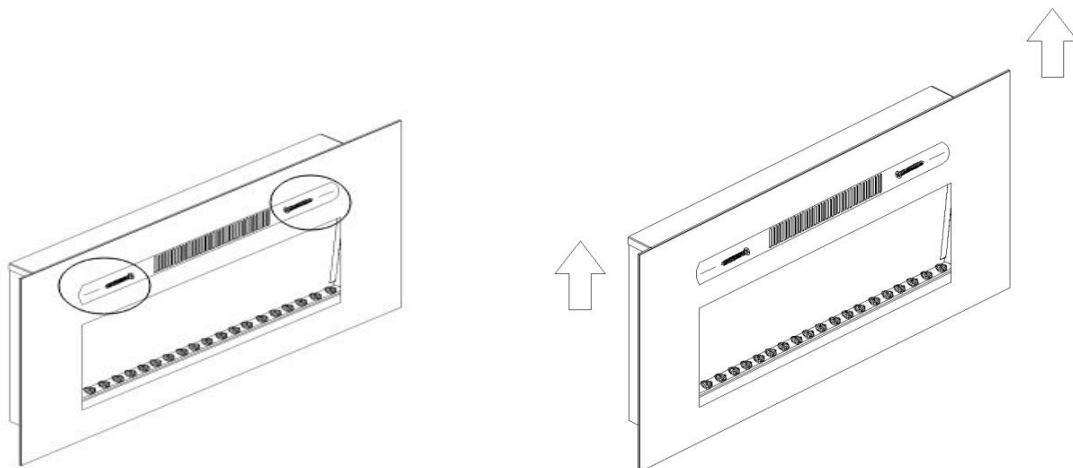


Fig. C

Step 4: (1) Find the two mounting screws and remove them. (2) Remove the front cover by pulling it upward (See Fig. D(1) and Fig. D(2)).

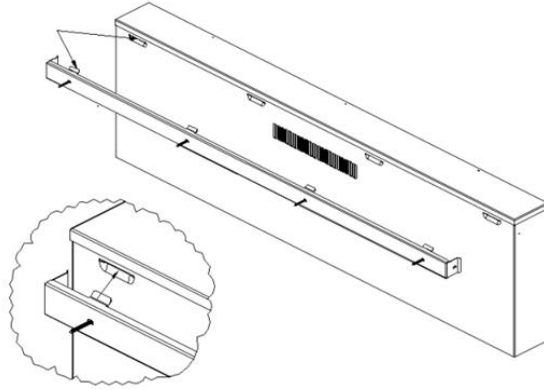


**Fig.D(1)**

**Fig. D(2)**

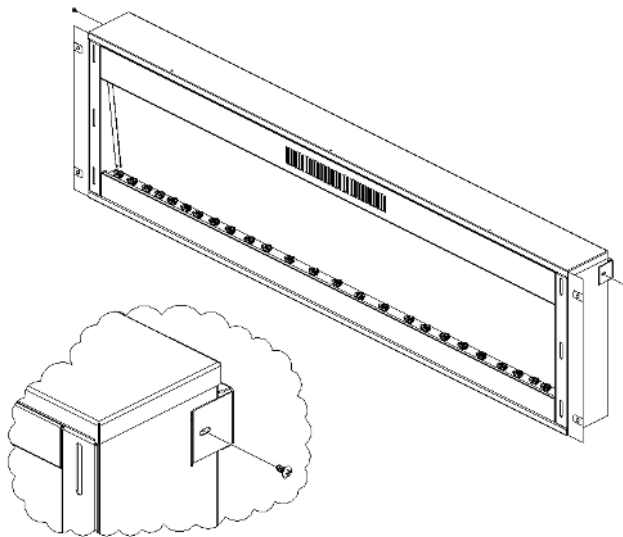
Step 5: Mount the heater on wall using the keyhole slots of the metal bracket at the back of the heater. See Fig. E.

Make sure that the mounting bracket is completely engaged into the metal bracket at the back of the heater.



**Fig. E**

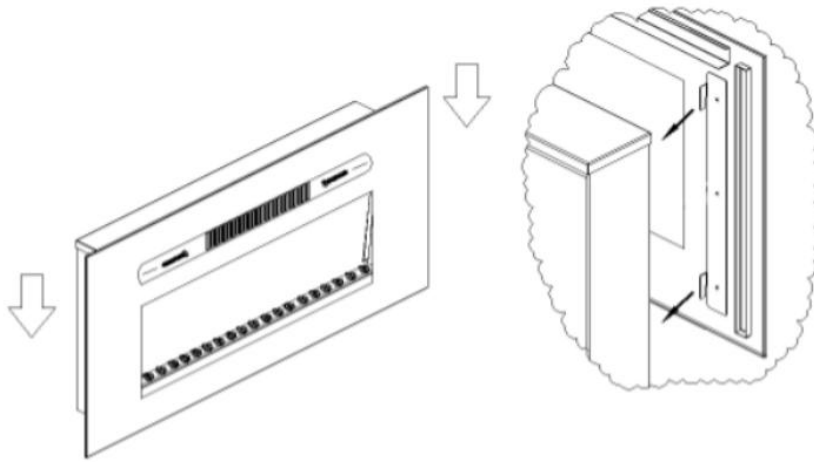
Step 6: Secure the mounting bracket to the heater using 2 mounting screws. See Fig. F.



**Fig. F**

Step 7: Replace the front cover and secure it with two mounting screws (See Fig. G).

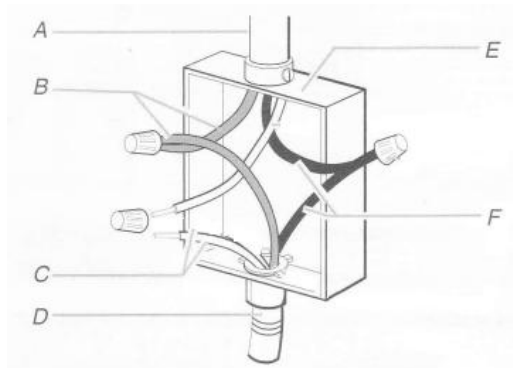




**Fig. G**

### **3-wire cable from power supply to 3-wire cable from heater**

Use the 3-wire cable from power supply where local codes permit connecting the frame-ground conductor to the neutral (white) junction box wire:



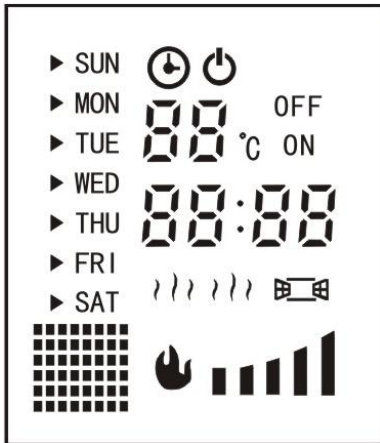
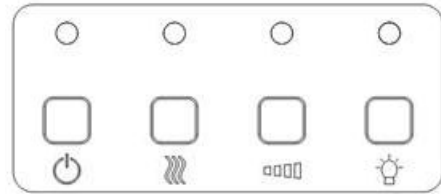
- |                                       |  |
|---------------------------------------|--|
| A. 3-wire cable from power supply     | E. Junction box                                |
| B. Live wire (Brown wire from heater) | F. Ground wire (Green yellow wire from heater) |
| C. Null wire (Blue wire from heater)  |  |
| D. 3-wire cable from heater           |  |

### **Operating Instructions**

Once the electric heater has been properly installed and connected to a ground electrical outlet, it is ready to operate.

Note: Ensure the circuit breakers for the power supply are turned on.

The control panel is located right side of the heater.



**Control Panel**






**Remote Control**

**LED Screen**





: Press this button, the unit will enter standby mode. The indicator light will be on. Then you can select the following functions as desired. Press again to turn off the heater.





: For modification time function - Press this button, the 'SUN' on the LED screen starts to twinkle. Press up ↑ or down ↓ button to the desired date, and press + button to select, press - button to cancel. After set the desired date, press  button switch to the 'hour' position. Press + or - button to the desired hour. Press  button switch to the 'minute' position. Press + or - button to the desired minute. Press  or OK button to complet date setting.


**NOTE:** The date will be reset after power interrupt.

 : For automatic working time setting function - There are 10 time periods you can set to make the unit work automatically. Press this button, time serial number starts to twinkle. The 'ON' on the LED screen lights up. Press + or - button to the desired serial number. Press button again, the 'SUN' on the LED screen starts to twinkle. Press up ↑ or down ↓ button to the desired date, and press + button to select, press - button to cancel. After set the desired date, press button switch to the 'hour' position. Press + or - button to the desired hour. Press button switch to the 'minute' position. Press + or - button to the desired minute. At this time you have completed the boot time setting. Press button again, the 'ON' extinguished and the 'OFF' lights up. Complete the shutdown time in the same way. Finally, you need to set a temperature which stop heating. Press or button to the desired temperature. When desired ambient temperature is reached, the heater will automatically stop heating.

 : For Window detection function - Press this button to turn on the window detection function. During the heating process, if the room temperature drops obviously caused by the outdoor cold air blowing, such like open windows or open the door. In order to save energy, the heater will automatically stop heating. The corresponding icon on the screen will twinkle. Press again to turn off the window detection function to normally heating.


 : For reset function - Press this button to clear the Timing parameters.

 : For heat function - Press this button to turn on the heat function. Press again to turn off.

 : For timer function - Press this button to turn on the timer function. Press again to turn off.

**Note:** the working state of the time period is the same as that before start timer function. That is to say, adjust the working state you want and turn on the timer function, then the machine will work according to your working state in the time period.


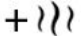
 : For flame function - Press this button for 3 seconds to change the flame colors

 : For flame effect function - Press this button to change flame effect. Press again to decrease the flame intensity. There are 4 light intensities for your selection. The flame optics will go lower under the sequence of 4,3,2 and 1. Pressing the button again will go higher under the sequence of 1,2,3 and 4.

**NOTE:** After the display screen is extinguished, it can be activated by any key.

**NOTE:** In the absence of timing mode, you can press or button to the desired temperature directly. When desired ambient temperature is reached, the heater will automatically stop heating.

### **Fast Menu:**

 +  : Press the standby button and the heating button, the unit can heating immediately.

### **Maintenance:**

**WARNING:** Completely disconnect power before attempting any maintenance or cleaning, to reduce the risk of fire or electric shock. Maintenance should only be performed by a certified technician.

### **Cleaning:**

Before cleaning any parts of the fireplace make sure to first turn off the controls and then unplug the unit from power source.

**CAUTION:** Wait until the unit has completely cooled before attempting any cleaning.

**Cleaning Glass Panel:** Remove dust with clean dry cloth. Remove fingerprints and other marks from glass door by using a clean damp cloth. Do not use abrasive cleaners or spray liquids on glass door surfaces.

Metal and metal painted parts should be cleaned with clean damp cloth only. Do not use abrasive cleaners or spray liquids on these surfaces.



