



**CHEMIN'ARTE**

CHEMINÉES & RADIATEURS DESIGN DÉCORATIFS

[www.cheminarte.com](http://www.cheminarte.com)


## **Vertical Glass Panel Heater**

### **Instruction Manual**

**(111 / 112 / 113 / 141 / 175 / 176 / 210)**



## ATTENTION

- Carefully read these instructions before using the appliance for the first time and keep it for future enquires.
- This appliance is not intended for use by persons (including children) with reduced physical, sensory or mental capabilities, or lack of experience and knowledge, unless they have been given supervision or instruction concerning use of the appliances by a person responsible for their safety.
- Keep plastic bags and other packaging materials out of the reach of children. They may be potentially dangerous.
- Do not plug in before making sure the voltage on the rating plate and that of your household are the same.
- Make sure the base of the plug is adequately earthed.
- Do not place the appliance close to showers, bathtub, pools, etc.
- Do not submerge the appliance in water or any other liquids.
- Don't allow children play with the appliance. Keep the appliance out of the reach of children.
- (  ) To avoid over heating, do not cover the heater.
- Use it always with the elements in upright position.
- The external parts of the appliance get hot during its use; avoid touch them until the appliance gets cold.
- Do not place the appliance under a plug.
- Do not place the appliance near inflammable objects or products
- When you use it for the first time, leave the heater on for 2 or 3 hours in the maximum temperature position in a ventilated place, in order to disperse the initial "new" smell.
- The installation of this appliance on the wall of a bathroom always must be done at a distance where no person in the shower or in the bath may touch it or switch it on.
- It is normal to hear some noises caused by the oil heating up or when cooling.
- Do not use the thermal heater directly on the floor without placing the legs.
- If the cable were to deteriorate it must be changed by an Authorised Service Centre.

### Installation Of Towel Rails:

1, Take out the towel rails, and screw the towel rails onto the two holes on the both sides of the appliance. See the below Fig 5

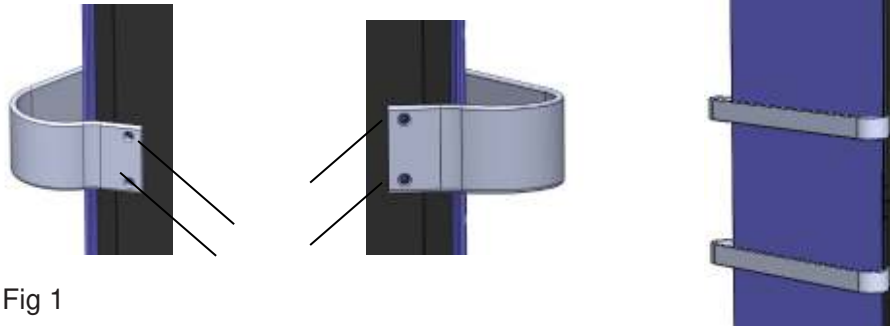


Fig 1

### Important Attention:

The towels only can be put on the towel rails, cannot be put onto the top of appliance. See the below Fig 6

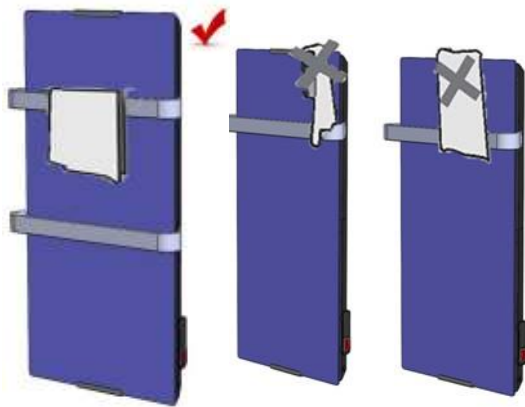


Fig 2

### WALL MOUNTING Installation

**Before installation the heater, please note that the shortest distance of the appliance from the ground shall not be smaller than 600mm**

1, Make two holes in the wall bearing in mind that the distances will vary depending on the type of heater that you have purchased. The measurements are as follows, see fig 3

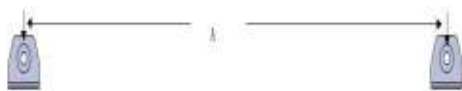


Fig3

Distance Between centre :A=295mm

2, Attached the brackets to the wall using the retaining studs and screws enclosed. When carrying out this operation bear in mind the smaller diameter side of the brackets should be resting on the wall.

see the below Fig 4:

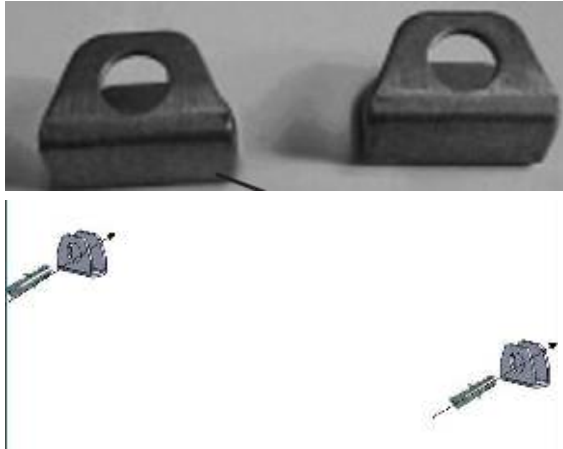


Fig 4

3, Then screw the wall support bracket (Fig 5) onto the two holes on the bottom rear of the unit. This operation must be performed so that once the radiator is installed; the portion of the plate with a single hole is leaning against the wall.. As showed in the below Fig5:

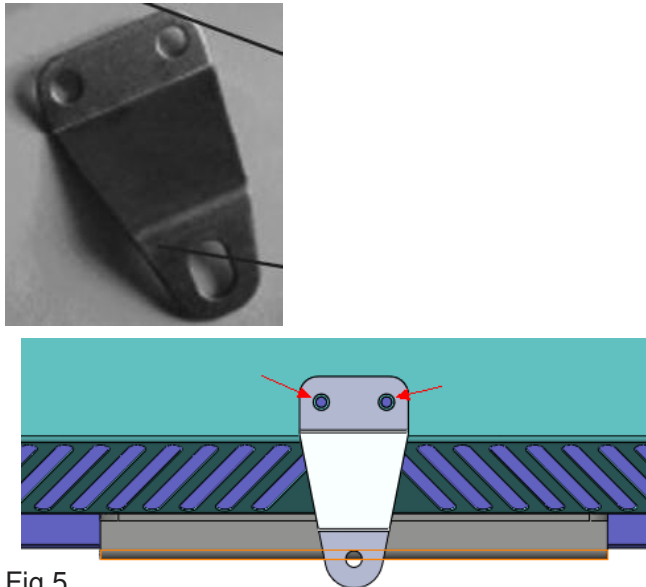


Fig 5

4, Hang the heater on the stands.(Fig6)

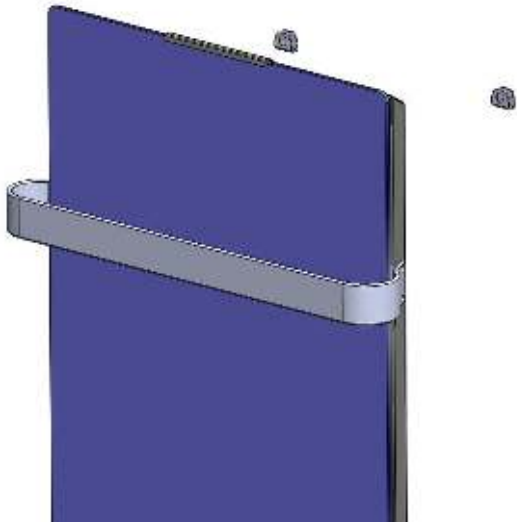


Fig6

5, Once hung on the wall, mark the free hole of the wall support bracket on the bottom of the heater.

6, Remove the appliance from the wall, make a hole at the mark and enter the corresponding wad.

7, Finally hang the appliance on the brackets and screw the mounting plate to the wall.

See the below fig 7



Fig 7

### A. How to operate the Appliance (mechanical thermostat):

Switch on the ON/OFF power switch on the right bottom side of the heater. See below Fig8

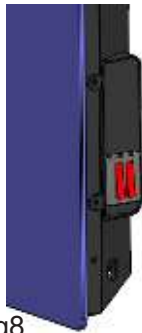


Fig8

There is a Mechanical Thermostat with 15° C ----30° C, you can turn the thermostat knob to adjust the temperature as you like. See below Fig9

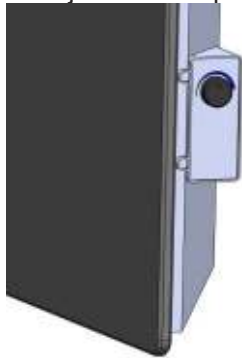


Fig 9

### B. How to operate the Appliance (electronic thermostat):

- Press the power “⏻” to start the heater, the LED will display room temperature, then please use touch control to set power, temperature and time.
- If the appliance is not used for a long time--switch it off with power switch and plug the item out
- Attention! Do not cover the product! Convector should not be place under shower or in swimming pool

### TOUCH CONTROL

#### Operation for Touch Control

The touch screen buttons located on the product correspond to the remote control functions:


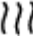
1. display
2. temperature
3. mode
4. timer
5. power



## Power

When the product is on, press “power”. the upper part of the display shows temperature. The heater is working at low power heating conditions.

## Mode

Press “mode” to regulate low  , or high temperature power.

## Temperature

Press temperature button  , the temperature can be set from 16°C to 40°C.

Internal temperature is displayed every time the appliance is started up. The temperature can be set when the appliance is in stand-by or heating. When the room temperature reaches the set level, the high temperature power stops and the low temperature power remains active. When room temperature is 2 degrees over the set temperature, both the high and lower temperature powers will stop operating. The machine will begin operating again only when temperature decreases 2 degrees with respect to the set temperature.

## Timer

The timer button can be set to start or stop the appliance at the desired time, with a time interval between 1 hour and 24 hours.

### Product Specification:

Model: 111 / 112 / 113 / 141 210

Voltage: AC 230V; 50Hz

Power: 600W / 900W/ 1200W

### Cleaning:

When cleaning the product, the power shall be off; after the appliance cools down, use soft cloth to carefully wipe the glass surface; Do not use the hard cloth to wipe it, for this will destroy the glass surface.

### Environment



Do not dispose of electrical appliances as unsorted municipal waste, use separate collection facilities. Contact you local government for information regarding the collection systems available. If electrical appliances are disposed of in landfills or dumps, hazardous substances can leak into the groundwater and get into the food chain, damaging your health and well-being.

When replacing old appliances with new ones, the retailer is legally obligated to take back your old appliance for disposals at least free of charge.