



CHEMIN'ARTE

CHEMINÉES & RADIATEURS DESIGN DÉCORATIFS

www.cheminarte.com

Instruction manual for ceramic heaters Chemin'Arte
500/1000/1500/2000W (ref 209, 144 et 145, 177)

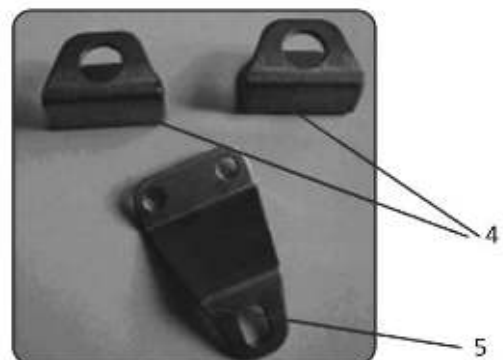
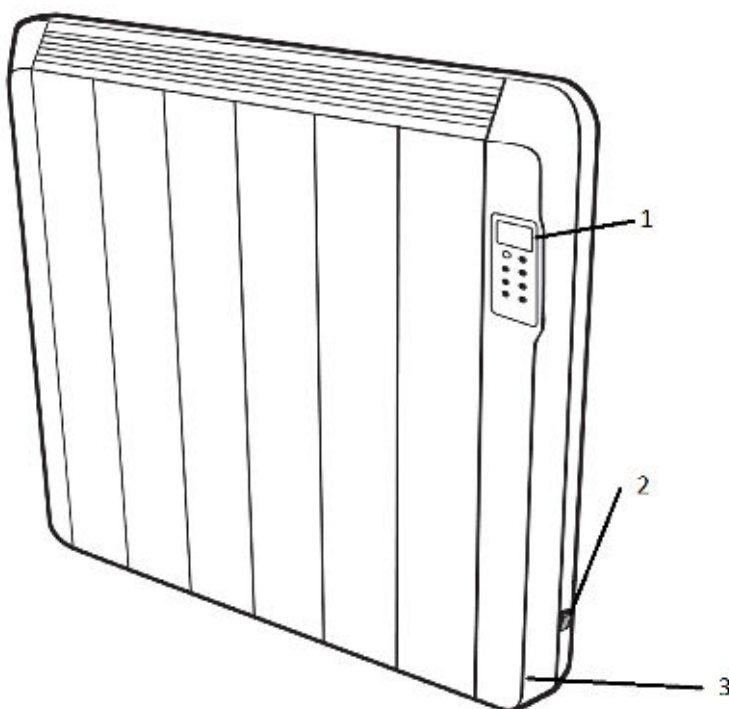


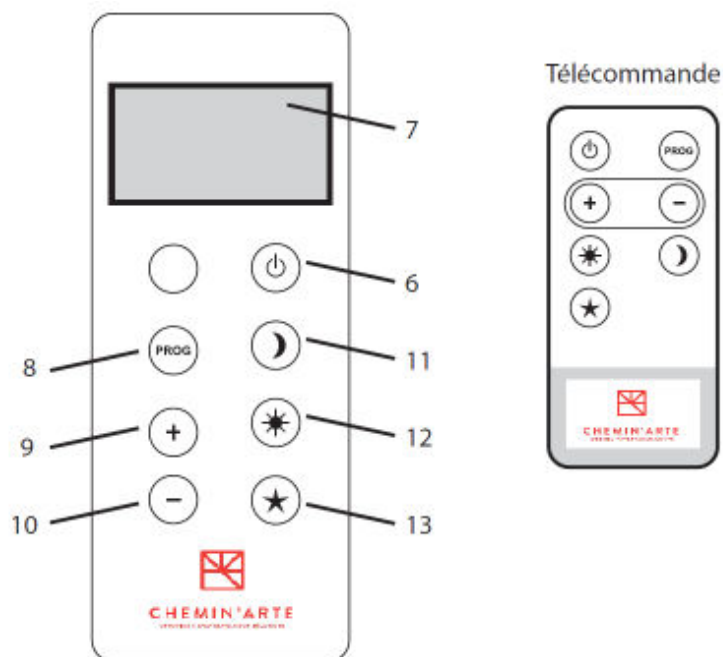
Before use :

Check whether the electricity supply meets the voltage requirement.

- Do not place the appliance near combustible materials, such as curtains, furniture...
- Do not use outdoors, or on or near direct heat sources.
- The heater must not be used in a bathroom or near a source of water.
- Do not plug in or pull out the power cable with wet hands.
- Do not open the housing or attempt to repair the appliance yourself. Should you do so, the safety concept of the device may be compromised and the warranty becomes void. Permit only authorised technicians to repair a defective appliance.
- Do not operate any appliance with a damaged cord or plug or after the appliance malfunctions or has been damaged in any manner. Return appliance to the nearest authorized service facility for examination, repair, or adjustment.
- Do not touch hot surfaces.
- Never use the electric wire to rise, carry or unplug the appliance.
- Do not allow the connection cable to come into contact with the appliance's hot surfaces.
- To protect against electric shock, do not immerse cord, plug or appliance in water or any other liquid.
- Unplug from outlet when not in use and before cleaning.
- This appliance is for household use only and only for the purpose it is made for.
- This appliance should never be left ON or hot without adult supervision.
- This appliance is not intended for use by persons (including children) with reduced physical, sensory or mental capabilities, or lack of experience and knowledge, unless they have been given supervision or instruction concerning use of the appliance by a person responsible for their safety.
- Children should be supervised to ensure that they do not play with the appliance.
- CAUTION: In order to prevent overheating, do not cover the appliance.
- When you use it for the first time, leave the heater on for 2 or 3 hours in the maximum temperature position in a ventilated place, in order to disperse the initial "new" smell.
- It is normal to hear some noises caused by the oil heating up or when cooling.
- Do not use the thermal heater directly on the floor without placing the legs.

Description:





1. Control panel
2. Main switch
3. Temperature sensor
4. Wall supports
5. Wall support accessory
6. ON button
7. Display
8. Program button "PROG"
9. + button
10. - button
11. Day button
12. Night button
13. Anti frost button

Wall mounting installation

- Before fixing on a wall, be sure to check that once installed the unit must be at a minimum distance of 20 cm. from any obstacle (side walls, shelves or floor).
- Make two holes in the wall bearing in mind that the distances will vary depending on the type of heater that you have purchased.

Model 500W (ref 209): 280mm between holes

Model 1000W (ref 144) : 420mm between holes

Model 1500W (ref 145) : 560mm between holes

Model 2000W (ref 177): 700mm between holes

Attach the brackets (4) to the wall using the retaining studs and screws enclosed. When carrying out this operation bear in mind the smaller diameter side of the brackets should be resting on the wall.

Then screw the wall support accessory (5) onto the two holes on the bottom rear of the unit. This operation must be performed so that once the radiator is installed; the portion of the plate with a single hole is leaning against the wall.

Hang the heater on the stands.

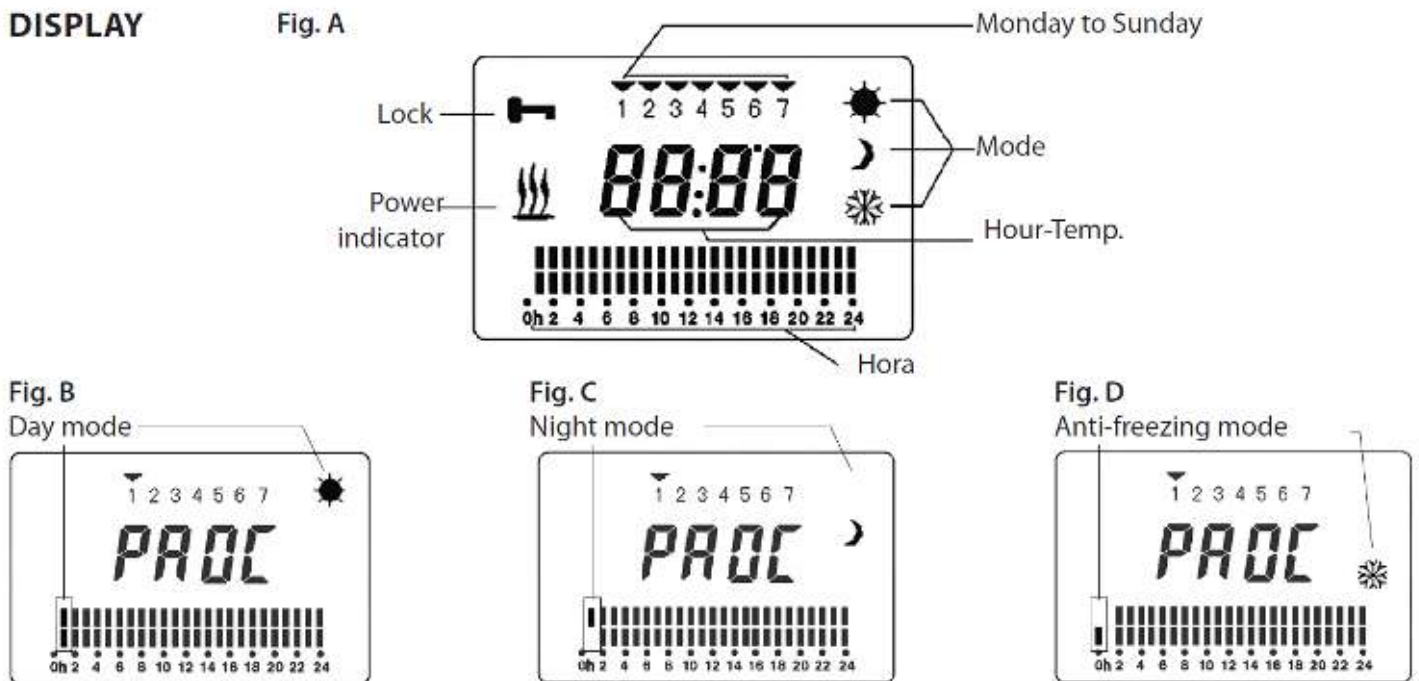
Once hung on the wall mark the free hole of the wall support accessory (5).

Remove the appliance from the wall, make a hole at the mark and enter the corresponding wad.

Finally hang the appliance on the brackets and screw the mounting plate to the wall.

Use:

DISPLAY



AUTOMATIC LOCKING

The buttons on the heater become blocked in the display (), if during operation no key is pushed during one minute. To unlock them you must press (+ and -) for 3 seconds.

MANUAL OPERATION

The heater can operate in three different ways.

1. Day mode: () the temperature can be set between 5 and 35 °C.
2. Night mode: () the temperature can be set between 5 and 35 °C.
3. Anti-freezing mode: () the temperature can be set between 5 and 15 °C..

IMPORTANT: So you can operate the heater, the temperature you select should always be above the reference temperature of the room.

-The appliance will not work if the programmed temperature is less than the temperature of the room.

ATTENTION: When selecting a room temperature, you should choose a few degrees more than the desired temperature, as the temperature recognized by the screen, when it is working, is the exact temperature beside the heater and not the room temperature. For this reason the selection option has reference temperatures up to 35°C.

Carry out the following steps to start the operation:

A.- Connect the appliance to the mains and push the on switch (2). The screen will flash, then the degrees centigrade (°C) which corresponds to the reference temperature beside the heater and the symbol of power indicator () will appear. If this symbol doesn't appear, press the "ON" button.

B.- Select the corresponding key using the operation mode: day (), night () or anti-freezing (). The screen will show the symbol of the selected mode.

C.- Using the + o - key select the desired temperature for the chosen operation mode. While choosing the temperature, "°C" will remain flashing.

D.- Once the degrees desired have been selected these will disappear from the screen and the new ones which correspond to the reference temperature will appear.

Repeat steps B, C and D for other modes.

- Now select the key corresponding to the mode you want the radiator to function on.
- When the selected temperature of the appliance have been reached it will disconnect and the power indicator () will disappear from the screen.
- When the temperature drops below that programmed the device will connect automatically and the power indicator () will reappear on the screen.

NOTE: The power indicator () may flash when the reference temperature is approaching the point of connection and disconnection.

ATTENTION: If the appliance is disconnected from the mains; the main switch is turned off or there is a power cut, the selected degree will be stored in the memory. To reset the device (when connected to the network with the main switch on and energized) unlock must be carried out either with the remote control* by pressing the power key 3 seconds or switching off or switching on the main switch (2).

RECOMMENDATION:

- Use the remote control for switching on and off. It is more convenient. Remember to use the panel keypad, if this is locked then the mains switch must be turned on and off (2) while the remote control keypad does not lock. Simply pressing the power key () on the remote connect will connect it or disconnect it. When disconnected, the (° C) reference temperature will remain on the screen.

PROGRAMMED OPERATION

• As in the manual mode, the heater can operate in three ways: day (), night () or anti-freezing () . Therefore, before setting the time and day of the programmer follow the steps A, B, C, and D in this paragraph.

NOTA: If you performed a manual operation and want the programmed temperature to be the same, you do not need to modify it.

- Once this operation has been carried out the actual time and day must be set.
 - To do this, hold down "PROG" for a few seconds until the display shows "00:00". The first two digits corresponding to the time are intermittent and using the + or - keys adjust the current time and press "PROG" for this time to remain set.
 - Then the digits for the minutes flash. Use the same keys + or - to set the minutes, and "PROG" to set.
 - Then the weekly calendar appears (1 is for Monday and 7 Sunday). Set the day of that week in course using the + or - keys and press "PROG" to set.
 - Fig. B will appear in the screen and the first two bars that correspond to the first hour to set (0 to one in the morning) flash intermittently. The weekly calendar indicates "1" for Monday (first day to programmer).
1. Press the operation mode key: day (), night () or anti-freezing () you wish to have for this time interval. If you press night, the symbol () will appear on the screen and the bar of the upper area will flash (Fig. C). If you press anti-freezing the corresponding symbol will appear () and the bar in the lower area will flash (Fig. D). If you press day (), the two bars will remain flashing. The first hour of operation is already programmed.
 2. Press + and the bars for the next hour start flashing (one to two in the morning). Select the mode you want for that time using the keys day (), night () or anti-freezing () or push + when the desired mode is chosen to pass onto the next time interval.
- Perform the same operations until hour 24. It is always the same operation.

First with the: day (), night () or anti-freezing () keys chose the operation mode for the determined time indicated by the flashing bars and then the + key to move onto the next hour. To return to the previous press -.

ATTENTION: When arriving at 24 hours and the operating mode is chosen instead of pressing + press "PROG" instead of + to finish the program.

The Schedule to day 2 (thuesday). Repeat the process 1 and 2 by pressing "PROG" to finish the day's programming. The calendar date will move to 2 (Tuesday). Repeat steps 1 and 2 and press "PROG" to end the day's schedule.

• Continue this process until setting the 7 days of the week. Once the programming of the seventh day has finished, pressing "PROG" the heater is automatically placed at the current day and time and the corresponding program mode.

• This data is stored in the memory as long as the appliance is connected to the network and the mains switch (2) is in the on position. In case of a power outage, if the device is disconnected from the network or switched off the weekly program is maintained but the actual time and day must be set.

RE-SETTING THE TIME AND THE DAY

- Unlocking the appliance. To do this, hold down “PROG” for a few seconds until the display shows “00:00”. The first two digits corresponding to the time work intermittently. Using the + o -, keys set the actual time and push “PROG” so that the time remains set.
- Then the digits for the minutes flash. Use the same keys + o - to adjust the minutes, and “PROG” to set them.
- Then the weekly calendar appears (1 is for Monday and 7 Sunday). Set the day of that week in course using the + o - keys and then instead of setting with “PROG” push the on switch twice. Then push “PROG” and then the + o - key.
- If the heater is working on the programmed mode and we want to move to manual operation push the “ON” key twice on the remote control and then push “PROG”. Select the mode if necessary using the corresponding key and press + o -.
- If you want to re-run programming press the “ON” key twice on the remote, then press “PROG”.
- While operating in the program mode using the remote control to connect and disconnect the heater. Press the “ON” key if you want to disconnect the heater. Press this button again if you want the heater to start operating.

ATTENTION: When operational on the programmed mode, if you want to change the temperature mode with which the heater is running, press twice the “ON” key on the remote control and then using the + o - keys select the desired temperature.

When you change the temperature, it is stored for that mode of operation throughout all programming, including the temperature in this mode during manual operation.

REMOTE CONTROL

- The remote control works with one battery CR2025.
- Remove the protection label from the battery for the remote control to work. If necessary, remove the battery housing lid.
- With the remote control you can program the same functions as with the control panel when it is not blocked.

Cleaning:

- Before cleaning the appliance, make sure the appliance is unplugged and allow it to cool.
- Clean it with a dry and smooth cloth.
- Do not use chemical or abrasive products, metallic scourers and so on, which may deteriorate the surface, to clean the appliance.

RETURN PROCEDURE FOR DECORATIVE HEATERS

All our heaters are guaranteed for 1 year parts and labor. If during this period there were a malfunction of your product, please follow the return procedure below (if bought in France) or contact your dealer if bought in any other European countries :

- Above all else, call customer service at 0951 634 467 to determine the cause of the problem and the solution to.
- Package the defective chimney in its original packaging. Make sure it is properly protected (especially at the corners).
- Attach to the original parcel receipt by circling the date purchase (no photocopies will be accepted) and the name and the return address of the recipient.
- Send it at your expense, to: EFYDIS, 4 allée de l’olivier, 07300 St Jean de Muzols.
- We will repair or replace your defective fireplace and return it to you at our expense at the address mentioned with the package (address in France). - We will also return the receipt, dated and buffered to revalidate the warranty.

DISCARDING WORN HOUSEHOLD DEVICES

The European directive 2002/96/EC pertaining to electrical and electronic waste prohibits such household goods from being discarded with local refuse services. Worn devices must be collected separately to optimize the recovery and recycling rates of the components therein to reduce detrimental effects on the environment and on human health.

The “crossed out rubbish bin” symbol is affixed to all products as a reminder to respect the waste regulations.



This device is conform to the CE standards